



THE REINKE DIFFERENCE

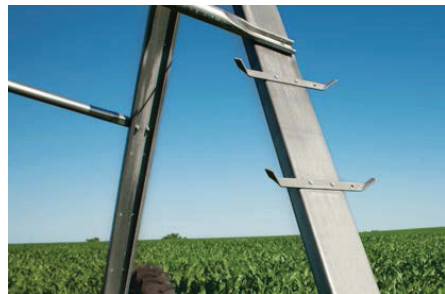
Published by Reinke Manufacturing Co., Inc. | 1040 Road 5300 Deshler, NE 68340 | 402-365-7251 | www.reinke.com

Since 1968, being different is what has made Reinke the mechanized irrigation system choice for many growers worldwide. So what is the Reinke Difference?

The difference starts with our high-strength steel: a lighter, yet stronger material we use to make our systems weigh less and improve longevity. Less weight means less stress on components, saving you the hassle of potential repair costs. Combined with superior engineering and unique design, Reinke systems are built to last.

Our high-strength steel is only one of many features and innovations for our systems. Another feature is our single-leg towers made with the C-channel Leg. It is galvanized steel in a roll-form C-channel design that eliminates the need for cross bracing. This gives our systems a lighter and less obtrusive tower leg design resulting in easier access to components and a lighter system.

Being outdoors all year round also means more exposure to weather and field conditions. That's why Reinke provides corrosion-resistant, aluminum enclosures to protect the main control panel from UV rays, moisture and other



Single-leg tower featuring C-channel Legs

harsh environment conditions.

Instead of a single-wall tower box like our competitors use, Reinke uses double-wall tower boxes to ensure maximum protection of components and durability in environmental conditions.



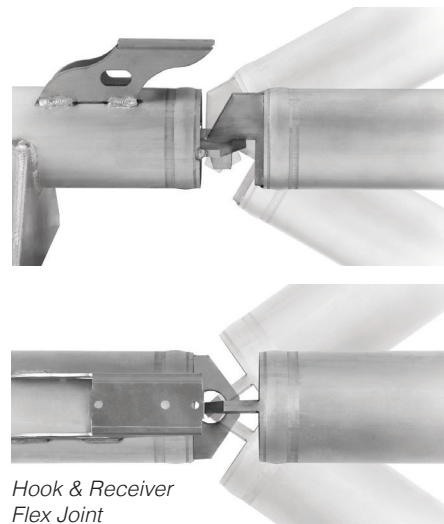
Double-Walled Towerbox

We also have our patented V-Ring Seal, which protects the gasket from UV rays, other environment conditions, prevents leaks and reduces friction loss.



V-Ring Seal

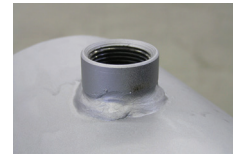
To ensure our systems can adapt to various field conditions and terrain, we added in our standard pivot flex joint. This was designed to minimize stress exerted on the pivot bearing



Hook & Receiver Flex Joint

and structure when traversing various terrain.

To us, every part matters. To eliminate the disruption of water flow in sprinkler outlets, Reinke welds high-strength 3/4" tapered, half couplers to our pipes, which provide a stronger solution.

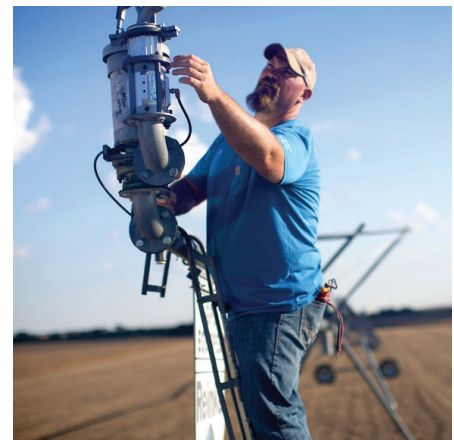


3/4" Half Coupler

All of our systems and components are backed by industry-leading warranties, as we believe in standing behind our products.

If a problem occurs, you can count on our network of Reinke dealers to fix it. Our dealers are the finest in the industry, chosen for their commitment to provide the best service for the customer.

From the materials we use, to the innovative products we build, all backed by the best warranties is what makes the Reinke Difference.



Reinke Certified Dealer



Find your dealer at www.reinke.com/find-a-dealer.html

@reinkeirrigation

@Reinke_Irr

@reinkeirrigation

Reinke Manufacturing Co., Inc.

Reinke Irrigation

